

CUSTOMER : _____

NO. : MKM-

EDIT :

DATE :

SPECIFICATION FOR APPROVAL

PRODUCT : 1.5" Single-Digit 7-Segment Numeric Display(2-Color)

MODEL NO. MD-1512/1519

APPROVAL			REVISION
CHK	CHK	APPD.	
REMARKS			



MIKWANG ELECTRONICS CO., LTD.

RM1401, 60-24, GASAN-DONG, GEUMCHEON-GU, SEOUL, KOREA

TEL : 82-2-2113-7700(Rep.) FAX : 82-2-2113-7707

URL : WWW.LED.CO.KR / E-MAIL : mkled7700@hanmail.net

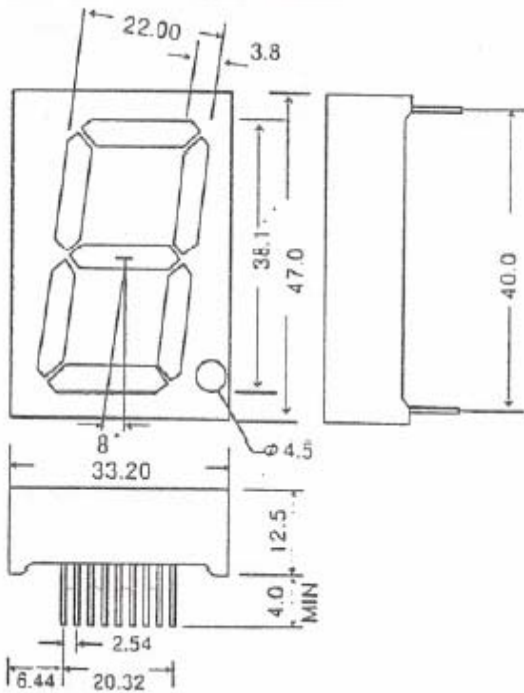
1.5 Inch Single-Digit 7-Segment Numeric Display(2-color)

GENERAL DESCRIPTION

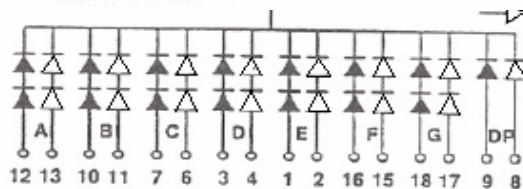
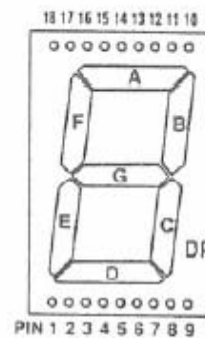
The MD-1512 and MD-1519 series are high performance epoxy resin molded 1-digit 7-segment LED displays for an application which space is at a premium.

The character height is approximately 1.5-inch(38.1mm) and available in red, green, orange and yellow-green emitting colors. The standard unit is constructed with black face and milky white segment color.

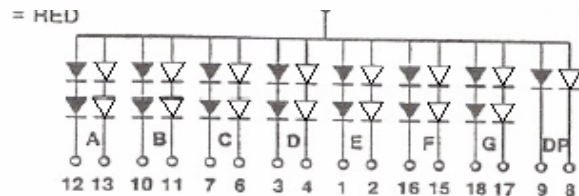
PACKAGE DIMENSIONS



ACTUAL SIZE



Cathode Common(MD-2-1512)



*Anode Common(MD-2-1519)

MIKWANG ELECTRONICS CO., LTD.

Rm1401, World Meridian Venture Center, #60-24, Gasan-dong, Geumcheon-gu, Seoul, Korea
 TEL +82-2-2113-7700/ FAX +82-2-2113-7707 www.LED.co.kr

◆ Red MD-SR1512/SR1519(AIGaAs/GaAs)

Absolute Maximum Ratings(Ta=25°C)

Power dissipation/total	600	mW
Power dissipation/seg	80	mW
Forward current	20	mA
Peak forward current	60	mA
Reverse voltage	10	V
Operating temperature	-25~+85	°C
Storage temperature	-55~+100	°C

Electrical/Optical Characteristics(Ta=25°C)

Parameter	Symbol	Condition	Min	Typ	Max	Unit
Forward voltage/seg	V _f	I _f =10mA	-	3.6	4	V
Reverse current/seg	I _r	V _r =10V	-	-	10	μA
Luminous intensity/digit	I _v	I _f =10mA	300	800	-	μcd
Peak wave length	λ _p	I _f =10mA	-	660	-	nm
Spectral line half width	Δλ	I _f =10mA	-	20	-	nm

◆ Green MD-UG1512/UG1519(GaP)

Absolute Maximum Ratings(Ta=25°C)

Power dissipation/total	712	mW
Power dissipation/seg	96	mW
Forward current	20	mA
Peak forward current	60	mA
Reverse voltage	10	V
Operating temperature	-25~+85	°C
Storage temperature	-55~+100	°C

Electrical/Optical Characteristics(Ta=25°C)

Parameter	Symbol	Condition	Min	Typ	Max	Unit
Forward voltage/seg	V _f	I _f =10mA	-	4.4	4.8	V
Reverse current/seg	I _r	V _r =10V	-	-	10	μA
Luminous intensity/digit	I _v	I _f =10mA	350	1000	-	μcd
Peak wave length	λ _p	I _f =10mA	-	570	-	nm
Spectral line half width	Δλ	I _f =10mA	-	30	-	nm

- ◆ Pulse Width - 1ms
- Duty Cycle - 1/5