

CUSTOMER : \_\_\_\_\_

NO. : MKM-

EDIT :

DATE :

## SPECIFICATION FOR APPROVAL

PRODUCT : 1.5" Dual-Digit 7-Segment Numeric Display

MODEL NO. MD-1520/1527

APPROVAL			REVISION
CHK	CHK	APPD.	
REMARKS			



**MIKWANG ELECTRONICS CO., LTD.**

RM1401, 60-24, GASAN-DONG, GEUMCHEON-GU, SEOUL, KOREA

TEL : 82-2-2113-7700(Rep.) FAX : 82-2-2113-7707

URL : WWW.LED.CO.KR / E-MAIL : mkled7700@hanmail.net

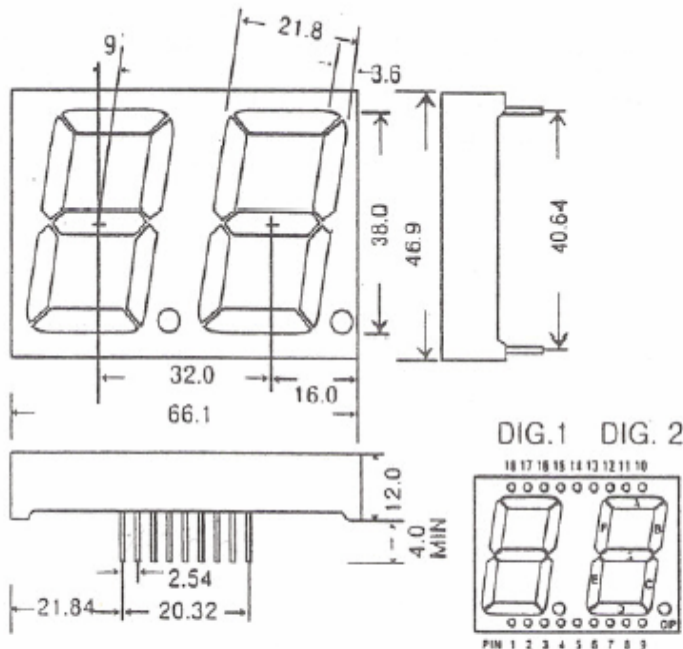
## 1.5 Inch Dual-Digit 7-Segment Numeric Display

### GENERAL DESCRIPTION

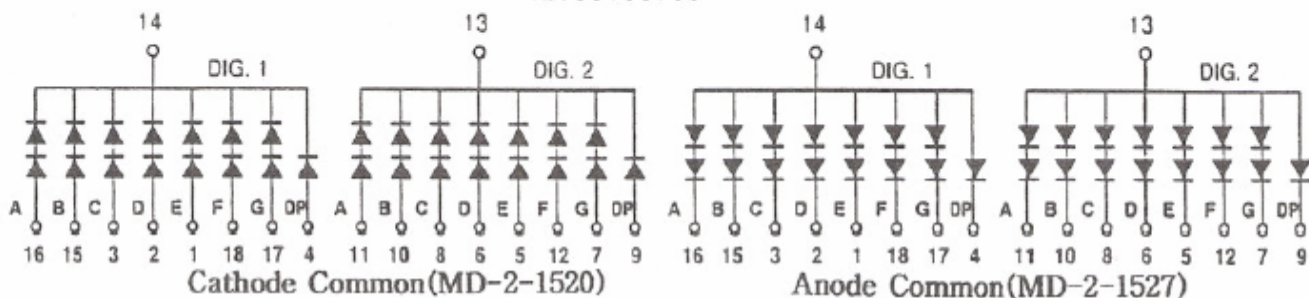
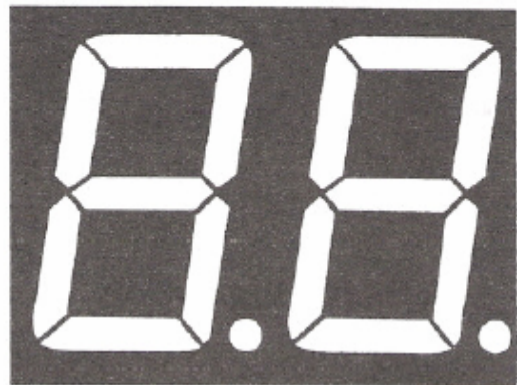
The MD-1520 and MD-1527 series are high performance epoxy resin molded 2-digit 7-segment LED displays for an application which space is at a premium.

The character height is approximately 1.5-inch(38.0mm) and available in red, green, orange and yellow-green emitting colors. The standard unit is constructed with black face and milky white segment color.

### PACKAGE DIMENSIONS



### ACTUAL SIZE



## MIKWANG ELECTRONICS CO., LTD.

Rm1401, World Meridian Venture Center, #60-24, Gasan-dong, Geumcheon-gu, Seoul, Korea  
 TEL +82-2-2113-7700/ FAX +82-2-2113-7707 www.LED.co.kr

## ◆ Red MD-UR1520/UR1527 (AlGaAs/GaAs)

### Absolute Maximum Ratings (Ta=25°C)

Power dissipation/total	1200	mW
Power dissipation/seg	80	mW
Forward current	20	mA
Peak forward current	60	mA
Reverse voltage	10	V
Operating temperature	-25~+85	°C
Storage temperature	-55~+100	°C

### Electrical/Optical Characteristics (Ta=25°C)

Parameter	Symbol	Condition	Min	Typ	Max	Unit
Forward voltage/seg	V <sub>f</sub>	I <sub>f</sub> =10mA	-	3.6	4	V
Reverse current/seg	I <sub>r</sub>	V <sub>r</sub> =10V	-	-	10	μA
Luminous intensity/digit	I <sub>v</sub>	I <sub>f</sub> =10mA	450	1500	-	μcd
Peak wave length	λ <sub>p</sub>	I <sub>f</sub> =10mA	-	660	-	nm
Spectral line half width	Δλ	I <sub>f</sub> =10mA	-	20	-	nm

## ◆ Green MD-UG1520/UG1527 (GaP)

### Absolute Maximum Ratings (Ta=25°C)

Power dissipation/total	1424	mW
Power dissipation/seg	96	mW
Forward current	20	mA
Peak forward current	60	mA
Reverse voltage	10	V
Operating temperature	-25~+85	°C
Storage temperature	-55~+100	°C

### Electrical/Optical Characteristics (Ta=25°C)

Parameter	Symbol	Condition	Min	Typ	Max	Unit
Forward voltage/seg	V <sub>f</sub>	I <sub>f</sub> =10mA	-	4.4	4.8	V
Reverse current/seg	I <sub>r</sub>	V <sub>r</sub> =10V	-	-	10	μA
Luminous intensity/digit	I <sub>v</sub>	I <sub>f</sub> =10mA	350	1000	-	μcd
Peak wave length	λ <sub>p</sub>	I <sub>f</sub> =10mA	-	570	-	nm
Spectral line half width	Δλ	I <sub>f</sub> =10mA	-	30	-	nm

- ◆ Pulse Width - 1ms
- Duty Cycle - 1/5