

CUSTOMER :

NO : MM

EIT :

DATE :

# SPECIFICATION FOR APPROVAL

PRODUCT : 2.3" Single Digit 7-Segment Numeric Display

MODEL NO MD 2310/2317

APPROVAL			REVISION
CHK	CHK	APPD	
REMARKS			



**MIKWANG ELECTRONICS CO., LTD**

RM401, 60-24, GASAN DONG, GUMCHEON GU, SEUL, KOREA

TEL : 82-2-2113-7700(Rep.) FAX : 82-2-2113-7707

URL : WWW.LED.CO.KR / E-MAIL : miked7700@hanmail.net

# MI KWANG ELECTRONICS MD-2310/2317

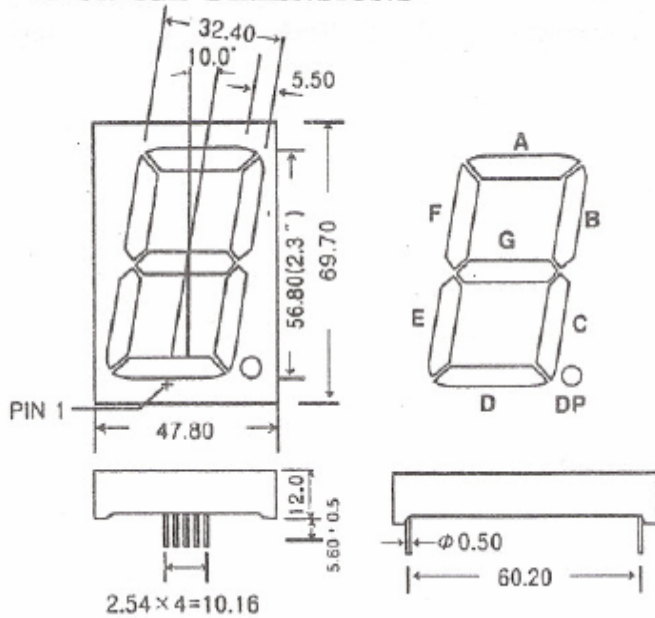
## 2.3 Inch Single-Digit 7-Segment Numeric Display

### GENERAL DESCRIPTION

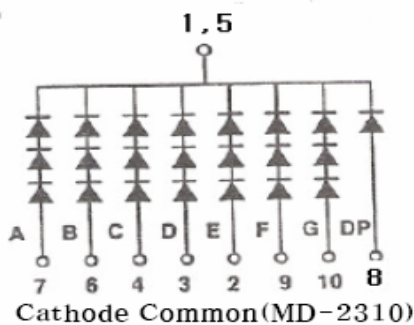
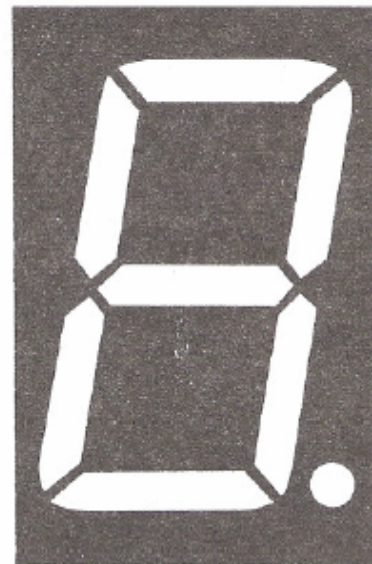
The MD-2310 and MD-2317 series are high performance epoxy resin molded 1-digit 7-segment LED displays for an application which space is at a premium.

The character height is approximately 2.3-inch(56.9mm) and available in red, green, orange and yellow-green emitting colors. The standard unit is constructed with black face and milky white segment color.

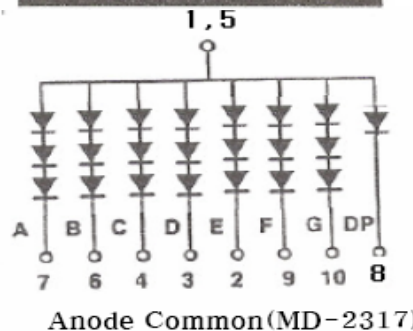
### PACKAGE DIMENSIONS



### ACTUAL SIZE



Cathode Common (MD-2310)



Anode Common (MD-2317)

## MIKWANG ELECTRONICS CO., LTD.

Rm1401, World Meridian Venture Center, #60-24, Gasan-dong, Geumcheon-gu, Seoul, Korea  
 TEL +82-2-2113-7700/ FAX +82-2-2113-7707 www.LED.co.kr

