

CUSTOMER :

NO : **MM**

EIT :

DATE :

SPECIFICATION FOR APPROVAL

PRODUCT : 2.3" Single-Digit 7-Segment Numeric Display

MODEL NO MD-2310A/2317A

APPROVAL			REVISION
CHK	CHK	APPD	
REMARKS			



MIKWANG ELECTRONICS CO., LTD

RM401, 60-24, GASAN-DONG, GUMCHEON-GU, SEUL, KOREA

TEL : 82-2-2113-7700(Rep.) FAX : 82-2-2113-7707

URL : WWW.LED.CO.KR / E-MAIL : mkled7700@hanmail.net

MI KWANG ELECTRONICS MD-2310A/2317A

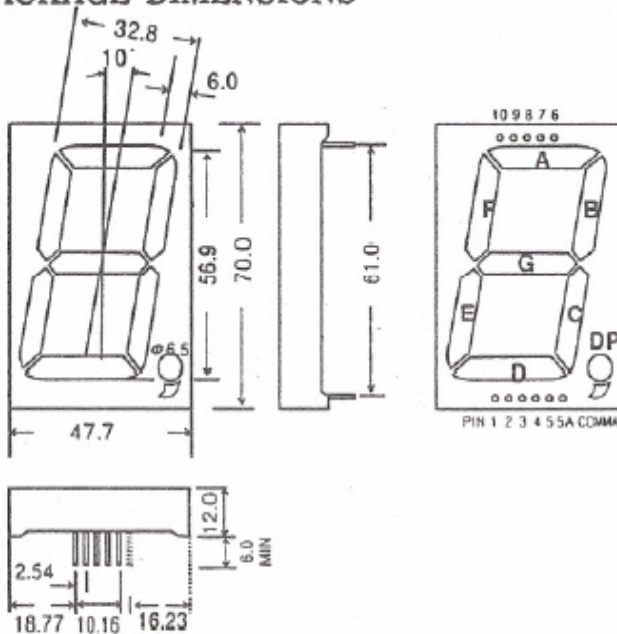
2.3 Inch Single-Digit 7-Segment Numeric Display

GENERAL DESCRIPTION

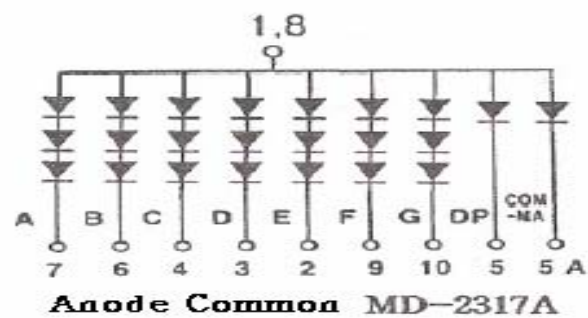
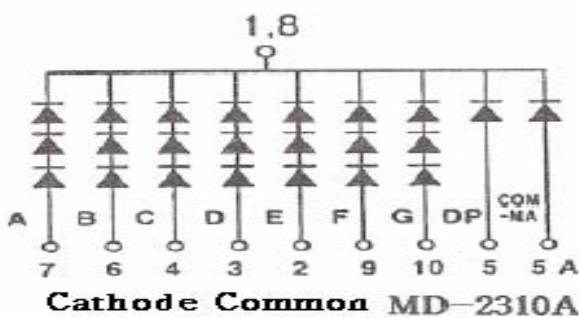
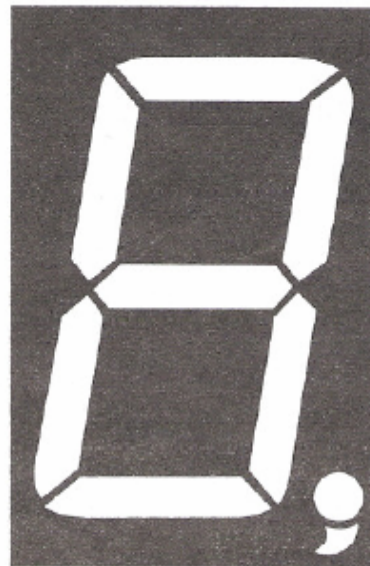
The MD-2310A and MD-2317A series are high performance epoxy resin molded 1-digit 7-segment LED displays for an application which space is at a premium.

The character height is approximately 2.3-inch(56.9mm) and available in red, green, orange and yellow-green emitting colors. The standard unit is constructed with black face and milky white segment color.

PACKAGE DIMENSIONS



ACTUAL SIZE



MIKWANG ELECTRONICS CO., LTD.

Rm1401, World Meridian Venture Center, #60-24, Gasan-dong, Geumcheon-gu, Seoul, Korea
 TEL +82-2-2113-7700/ FAX +82-2-2113-7707 www.LED.co.kr

