

CUSTOMER : \_\_\_\_\_

NO. : MKM-

EDIT :

DATE :

# SPECIFICATION FOR APPROVAL

PRODUCT : 3.0" Single-Digit 7-Segment Numeric Display

MODEL NO. MD-3010A/3017A

| APPROVAL |     |       | REVISION |
|----------|-----|-------|----------|
| CHK      | CHK | APPD. |          |
|          |     |       |          |
| REMARKS  |     |       |          |
|          |     |       |          |



**MIKWANG ELECTRONICS CO., LTD.**

RM1401, 60-24, GASAN-DONG, GEUMCHEON-GU, SEOUL, KOREA

TEL : 82-2-2113-7700(Rep.) FAX : 82-2-2113-7707

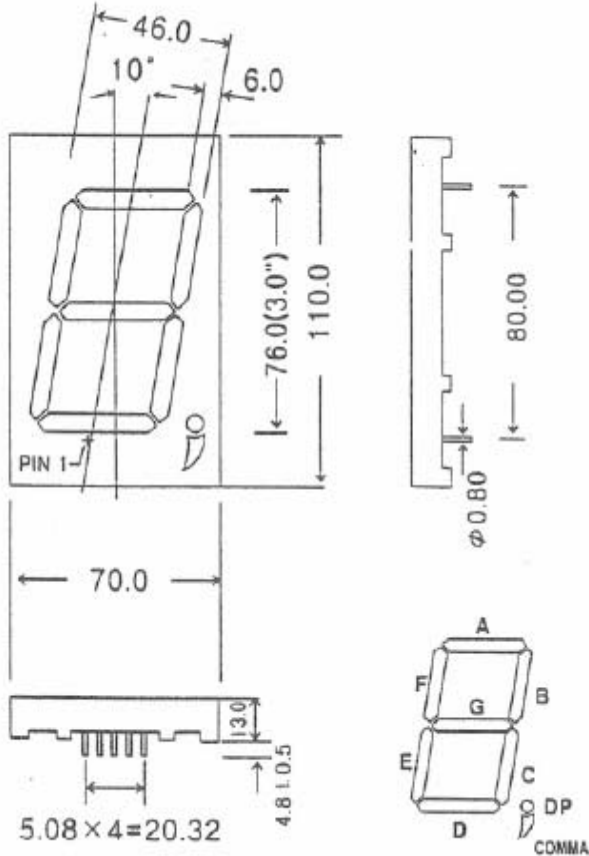
URL : WWW.LED.CO.KR / E-MAIL : mkled7700@hanmail.net

# MI KWANG ELECTRONICS

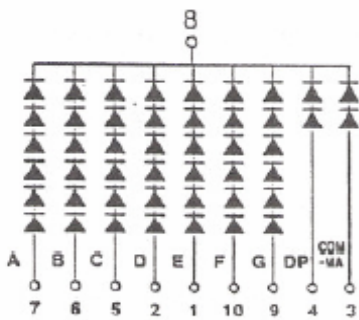
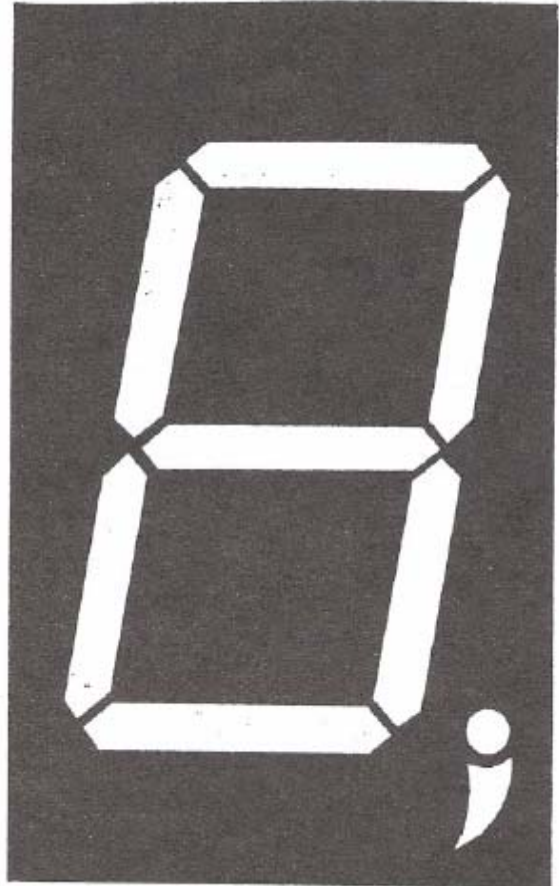
# MD-3010A/3017A

## 3.0 Inch Single-Digit 7-Segment Numeric Display

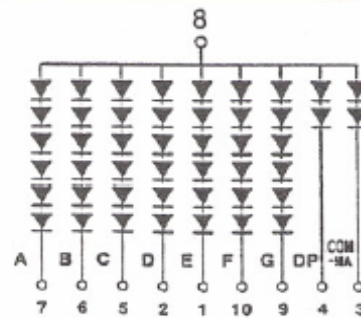
### PACKAGE DIMENSIONS



### ACTUAL SIZE



Cathode Common(MD-6-3010A)



Anode Common(MD-6-3017A)

## MIKWANG ELECTRONICS CO., LTD.

Rm1401, World Meridian Venture Center, #60-24, Gasan-dong, Geumcheon-gu, Seoul, Korea  
 TEL +82-2-2113-7700/ FAX +82-2-2113-7707 www.LED.co.kr

## ◆ Red MD-UR3010A/UR3017A (AlGaAs/GaAs)

### Absolute Maximum Ratings (Ta=25°C)

|                         |          |    |
|-------------------------|----------|----|
| Power dissipation/total | 880      | mW |
| Power dissipation/seg   | 120      | mW |
| Forward current         | 20       | mA |
| Peak forward current    | 60       | mA |
| Reverse voltage         | 15       | V  |
| Operating temperature   | -25~+85  | °C |
| Storage temperature     | -55~+100 | °C |

### Electrical/Optical Characteristics (Ta=25°C)

| Parameter                | Symbol | Condition | Min | Typ  | Max | Unit |
|--------------------------|--------|-----------|-----|------|-----|------|
| Forward voltage/seg      | Vf     | If=10mA   | -   | 5.4  | 6   | V    |
| Reverse current/seg      | Ir     | Vr=15V    | -   | -    | 10  | μA   |
| Luminous intensity/digit | Iv     | If=10mA   | 800 | 2500 | -   | μcd  |
| Peak wave length         | λp     | If=10mA   | -   | 660  | -   | nm   |
| Spectral line half width | Δλ     | If=10mA   | -   | 20   | -   | nm   |

## ◆ Green MD-UG3010A/UG3017A (GaP)

### Absolute Maximum Ratings (Ta=25°C)

|                         |          |    |
|-------------------------|----------|----|
| Power dissipation/total | 1048     | mW |
| Power dissipation/seg   | 144      | mW |
| Forward current         | 20       | mA |
| Peak forward current    | 60       | mA |
| Reverse voltage         | 15       | V  |
| Operating temperature   | -25~+85  | °C |
| Storage temperature     | -55~+100 | °C |

### Electrical/Optical Characteristics (Ta=25°C)

| Parameter                | Symbol | Condition | Min | Typ  | Max | Unit |
|--------------------------|--------|-----------|-----|------|-----|------|
| Forward voltage/seg      | Vf     | If=10mA   | -   | 6.6  | 7.2 | V    |
| Reverse current/seg      | Ir     | Vr=15V    | -   | -    | 10  | μA   |
| Luminous intensity/digit | Iv     | If=10mA   | 500 | 1000 | -   | μcd  |
| Peak wave length         | λp     | If=10mA   | -   | 570  | -   | nm   |
| Spectral line half width | Δλ     | If=10mA   | -   | 30   | -   | nm   |

- ◆ Pulse Width - 1ms
- Duty Cycle - 1/5