

CUSTOMER : _____

NO. : MKM-

EDIT :

DATE :

SPECIFICATION FOR APPROVAL

PRODUCT : 4.0" Single-Digit 7-Segment Numeric Display

MODEL NO. MD-4010A/4017A

APPROVAL			REVISION
CHK	CHK	APPD.	
REMARKS			



MIKWANG ELECTRONICS CO., LTD.

RM1401, 60-24, GASAN-DONG, GEUMCHEON-GU, SEOUL, KOREA

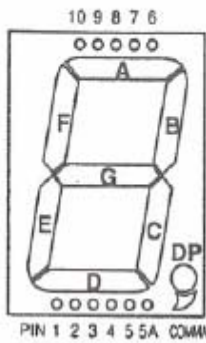
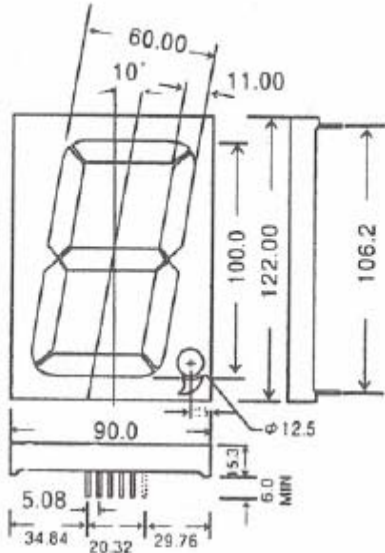
TEL : 82-2-2113-7700(Rep.) FAX : 82-2-2113-7707

URL : WWW.LED.CO.KR / E-MAIL : mkled7700@hanmail.net

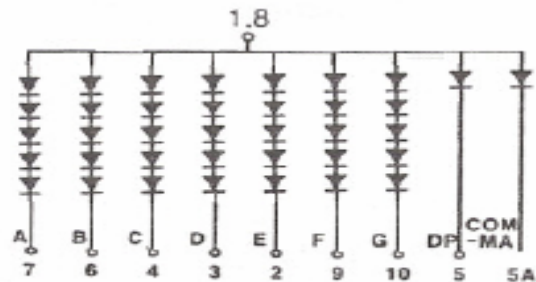
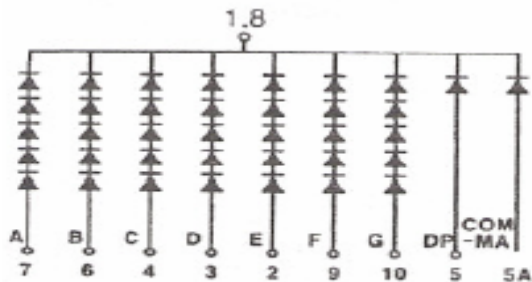
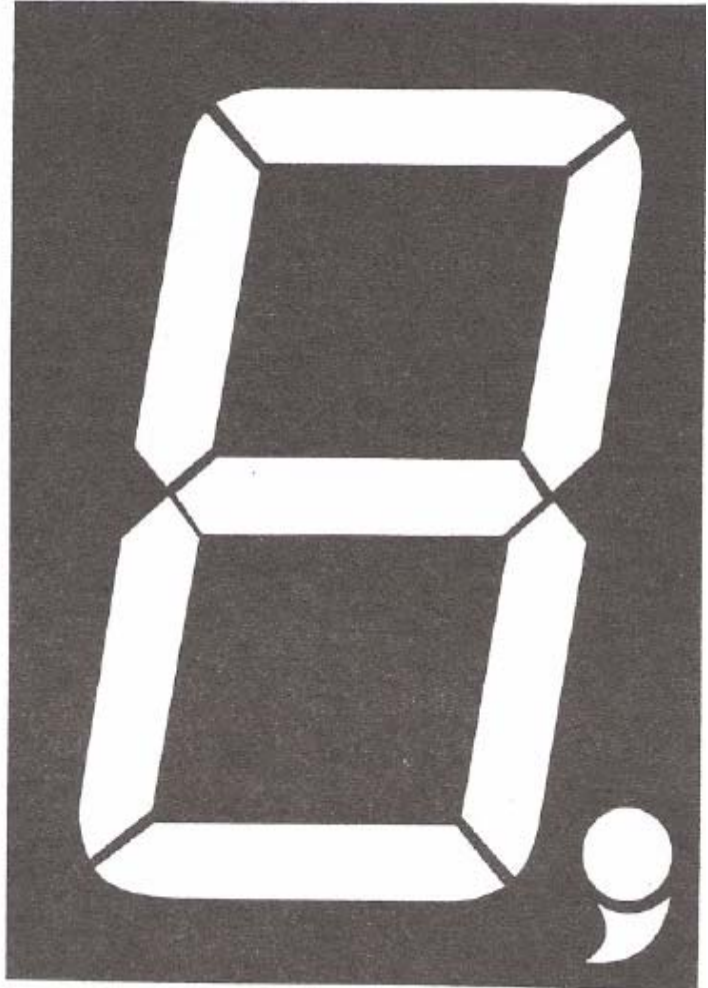
MI KWANG ELECTRONICS MD-4010A/4017A

4.0 Inch Single-Digit 7-Segment Numeric Display

PACKAGE DIMENSIONS



ACTUAL SIZE



Cathode Common (MD-4010A) Anode Common (MD-4017A)

MIKWANG ELECTRONICS CO., LTD.

Rm1401, World Meridian Venture Center, #60-24, Gasan-dong, Geumcheon-gu, Seoul, Korea
 TEL +82-2-2113-7700/ FAX +82-2-2113-7707 www.LED.co.kr

◆ Red MD-UR4010A/UR4017A (AlGaAs/GaAs)

Absolute Maximum Ratings (Ta=25°C)

Power dissipation/total	1480	mW
Power dissipation/seg	200	mW
Forward current	20	mA
Peak forward current	60	mA
Reverse voltage	25	V
Operating temperature	-25~+85	°C
Storage temperature	-55~+100	°C

Electrical/Optical Characteristics (Ta=25°C)

Parameter	Symbol	Condition	Min	Typ	Max	Unit
Forward voltage/seg	Vf	If=10mA	-	9	10	V
Reverse current/seg	Ir	Vr=25V	-	-	10	μA
Luminous intensity/digit	Iv	If=10mA	700	1500	-	μcd
Peak wave length	λp	If=10mA	-	660	-	nm
Spectral line half width	Δλ	If=10mA	-	20	-	nm

◆ Green MD-UG4010A/UG4017A (GaP)

Absolute Maximum Ratings (Ta=25°C)

Power dissipation/total	1776	mW
Power dissipation/seg	240	mW
Forward current	20	mA
Peak forward current	60	mA
Reverse voltage	25	V
Operating temperature	-25~+85	°C
Storage temperature	-55~+100	°C

Electrical/Optical Characteristics (Ta=25°C)

Parameter	Symbol	Condition	Min	Typ	Max	Unit
Forward voltage/seg	Vf	If=10mA	-	11	12	V
Reverse current/seg	Ir	Vr=25V	-	-	10	μA
Luminous intensity/digit	Iv	If=10mA	500	1300	-	μcd
Peak wave length	λp	If=10mA	-	570	-	nm
Spectral line half width	Δλ	If=10mA	-	30	-	nm

- ◆ Pulse Width - 1ms
- Duty Cycle - 1/5