

CUSTOMER : _____

NO. : MKM-

EDIT :

DATE :

SPECIFICATION FOR APPROVAL

PRODUCT : 0.56" Four-Digit 7-Segment Numeric Display

MODEL NO. MD-640D/647D

APPROVAL			REVISION
CHK	CHK	APPD.	
REMARKS			



MIKWANG ELECTRONICS CO., LTD.

RM1401, 60-24, GASAN-DONG, GEUMCHEON-GU, SEOUL, KOREA

TEL : 82-2-2113-7700(Rep.) FAX : 82-2-2113-7707

URL : WWW.LED.CO.KR / E-MAIL : mkled7700@hanmail.net

MI KWANG ELECTRONICS MD-640D/647D

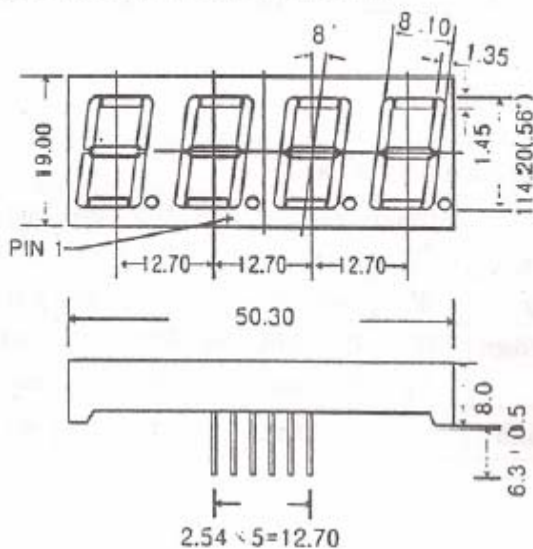
0.56 Inch Four-Digit 7-Segment Numeric Display

GENERAL DESCRIPTION

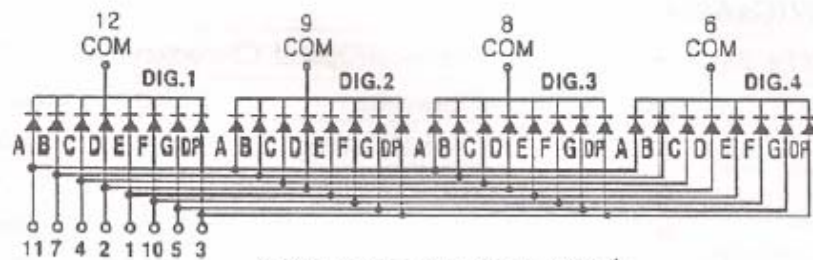
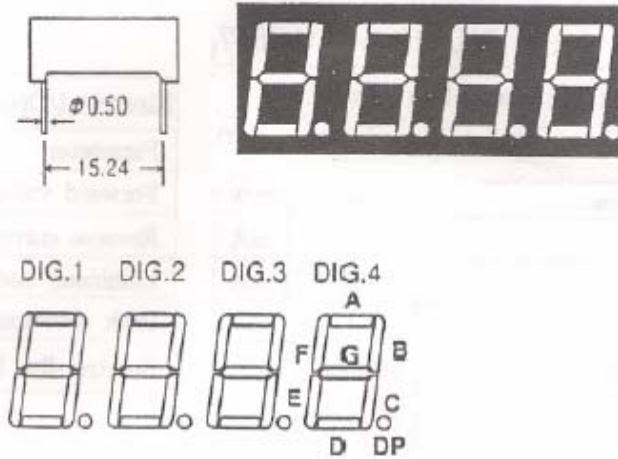
The MD-640D and MD-647D series are high performance epoxy resin molded 4-digit 7-segment LED displays for an application which space is at a premium.

The character height is approximately 0.56-inch(14.1mm) and available in red, green, orange and yellow-green emitting colors. The standard unit is constructed with black face and milky white segment color.

PACKAGE DIMENSIONS



ACTUAL SIZE



Cathode Common(MD-640D)

Anode Common(MD-647D) All diodes are reversed polarity

MIKWANG ELECTRONICS CO., LTD.

Rm1401, World Meridian Venture Center, #60-24, Gasan-dong, Geumcheon-gu, Seoul, Korea
 TEL +82-2-2113-7700/ FAX +82-2-2113-7707 www.LED.co.kr

MI KWANG ELECTRONICS MD-640D/647D

◆ Super Red MD-SR640D/SR647D (AlGaAs/GaAs)

Absolute Maximum Ratings (Ta=25°C)

Power dissipation/total	1280	mW
Power dissipation/seg	40	mW
Forward current	20	mA
Peak forward current	60	mA
Reverse voltage	5	V
Operating temperature	-25~+85	°C
Storage temperature	-55~+100	°C

Electrical/Optical Characteristics (Ta=25°C)

Parameter	Symbol	Condition	Min	Typ	Max	Unit
Forward voltage/seg	V _f	I _f =10mA	-	1.8	2.0	V
Reverse current/seg	I _r	V _r =5V	-	-	10	μA
Luminous intensity/digit	I _v	I _f =10mA	600	1300	-	μcd
Peak wave length	λ _p	I _f =10mA	-	660	-	nm
Spectral line half width	Δλ	I _f =10mA	-	20	-	nm

◆ Green MD-UG640D/UG647D (GaP)

Absolute Maximum Ratings (Ta=25°C)

Power dissipation/total	1536	mW
Power dissipation/seg	48	mW
Forward current	20	mA
Peak forward current	60	mA
Reverse voltage	5	V
Operating temperature	-25~+85	°C
Storage temperature	-55~+100	°C

Electrical/Optical Characteristics (Ta=25°C)

Parameter	Symbol	Condition	Min	Typ	Max	Unit
Forward voltage/seg	V _f	I _f =10mA	-	2.2	2.4	V
Reverse current/seg	I _r	V _r =5V	-	-	10	μA
Luminous intensity/digit	I _v	I _f =10mA	600	1300	-	μcd
Peak wave length	λ _p	I _f =10mA	-	570	-	nm
Spectral line half width	Δλ	I _f =10mA	-	30	-	nm

- ◆ Pulse Width - 1ms
- Duty Cycle - 1/5