

CUSTOMER : \_\_\_\_\_

NO. : MKM-

EDIT :

DATE :

## SPECIFICATION FOR APPROVAL

PRODUCT : 2.0" Dual-Color  $\phi$ 5 5 $\times$ 7 Dot Matrix LED Display

MODEL NO. MDM-5572/5579

| APPROVAL |     |       | REVISION |
|----------|-----|-------|----------|
| CHK      | CHK | APPD. |          |
|          |     |       |          |
| REMARKS  |     |       |          |
|          |     |       |          |



**MIKWANG ELECTRONICS CO., LTD.**

RM1401, 60-24, GASAN-DONG, GEUMCHEON-GU, SEOUL, KOREA

TEL : 82-2-2113-7700(Rep.) FAX : 82-2-2113-7707

URL : WWW.LED.CO.KR / E-MAIL : mkled7700@hanmail.net

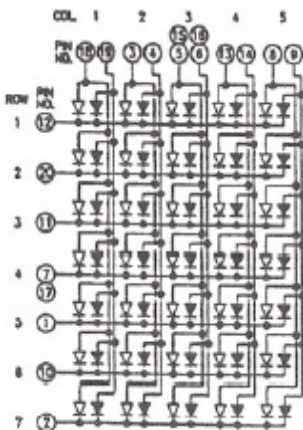
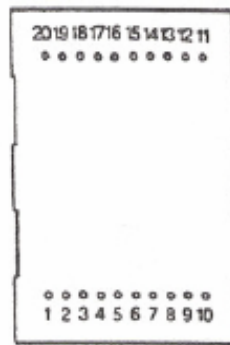
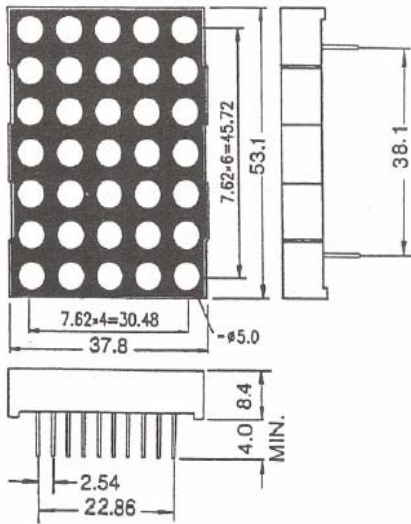
# MIKWANG ELECTRONICS MDM-5572/5579

2.0" Dual-Color Ø5 5×7 Dot Matrix LED Display

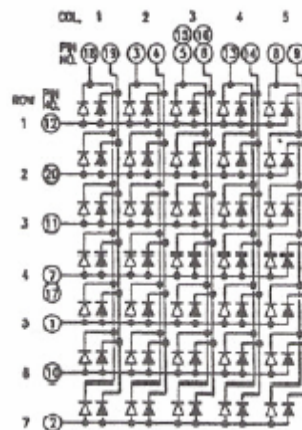
## GENERAL DESCRIPTION

The MDM-5572 and the MDM-5579 are an epoxy molded 2.0-inch(50.8mm) height, 5-pie diameter and 5×7 dot matrix dual color LED displays. A red and green chips are contained in each dots and it could be displayed in red or green color separately and also appears in amber color when drive to red and green in the same time.

## PACKAGE DIMENSIONS



MDM-5572  
(Cathode Row)



MDM-5579  
(Cathode Column)

 = GREEN  
 = RED

# MIKWANG ELECTRONICS CO., LTD.

Rm1401, World Meridian Venture Center, #60-24, Gasan-dong, Geumcheon-gu, Seoul, Korea  
 TEL +82-2-2113-7700/ FAX +82-2-2113-7707 www.LED.co.kr

# MIKWANG ELECTRONICS MDM-5572/5579

## ◆ Red MDM-UR5572/UR5579 (AlGaAs/GaAs)

### Absolute Maximum Ratings (Ta=25°C)

|                         |          |    |
|-------------------------|----------|----|
| Power dissipation/total | 1400     | mW |
| Power dissipation/seg   | 40       | mW |
| Forward current         | 20       | mA |
| Peak forward current    | 60       | mA |
| Reverse voltage         | 5        | V  |
| Operating temperature   | -25~+85  | °C |
| Storage temperature     | -55~+100 | °C |

### Electrical/Optical Characteristics (Ta=25°C)

| Parameter                | Symbol         | Condition            | Min  | Typ  | Max | Unit |
|--------------------------|----------------|----------------------|------|------|-----|------|
| Forward voltage/seg      | V <sub>f</sub> | I <sub>f</sub> =10mA | -    | 1.8  | 2.0 | V    |
| Reverse current/seg      | I <sub>r</sub> | V <sub>r</sub> =5V   | -    | -    | 10  | μA   |
| Luminous intensity/digit | I <sub>v</sub> | I <sub>f</sub> =10mA | 1300 | 2500 | -   | μcd  |
| Peak wave length         | λ <sub>p</sub> | I <sub>f</sub> =10mA | -    | 660  | -   | nm   |
| Spectral line half width | Δλ             | I <sub>f</sub> =10mA | -    | 20   | -   | nm   |

## ◆ Green MDM-UG5572/UR5579 (GaP)

### Absolute Maximum Ratings (Ta=25°C)

|                         |          |    |
|-------------------------|----------|----|
| Power dissipation/total | 1680     | mW |
| Power dissipation/seg   | 48       | mW |
| Forward current         | 20       | mA |
| Peak forward current    | 60       | mA |
| Reverse voltage         | 5        | V  |
| Operating temperature   | -25~+85  | °C |
| Storage temperature     | -55~+100 | °C |

### Electrical/Optical Characteristics (Ta=25°C)

| Parameter                | Symbol         | Condition            | Min | Typ  | Max | Unit |
|--------------------------|----------------|----------------------|-----|------|-----|------|
| Forward voltage/seg      | V <sub>f</sub> | I <sub>f</sub> =10mA | -   | 2.2  | 2.4 | V    |
| Reverse current/seg      | I <sub>r</sub> | V <sub>r</sub> =5V   | -   | -    | 10  | μA   |
| Luminous intensity/digit | I <sub>v</sub> | I <sub>f</sub> =10mA | 600 | 1200 | -   | μcd  |
| Peak wave length         | λ <sub>p</sub> | I <sub>f</sub> =10mA | -   | 570  | -   | nm   |
| Spectral line half width | Δλ             | I <sub>f</sub> =10mA | -   | 30   | -   | nm   |

- ◆ Pulse Width - 1ms
- Duty Cycle - 1/5