

CUSTOMER : _____

NO. : MKM-

EDIT :

DATE :

SPECIFICATION FOR APPROVAL

PRODUCT : 3.0" Single-Digit 7-Segment Numeric Display(Dual Color)

MODEL NO. MD-3012/3019

APPROVAL			REVISION
CHK	CHK	APPD.	
REMARKS			



MIKWANG ELECTRONICS CO., LTD.

RM1401, 60-24, GASAN-DONG, GEUMCHEON-GU, SEOUL, KOREA

TEL : 82-2-2113-7700(Rep.) FAX : 82-2-2113-7707

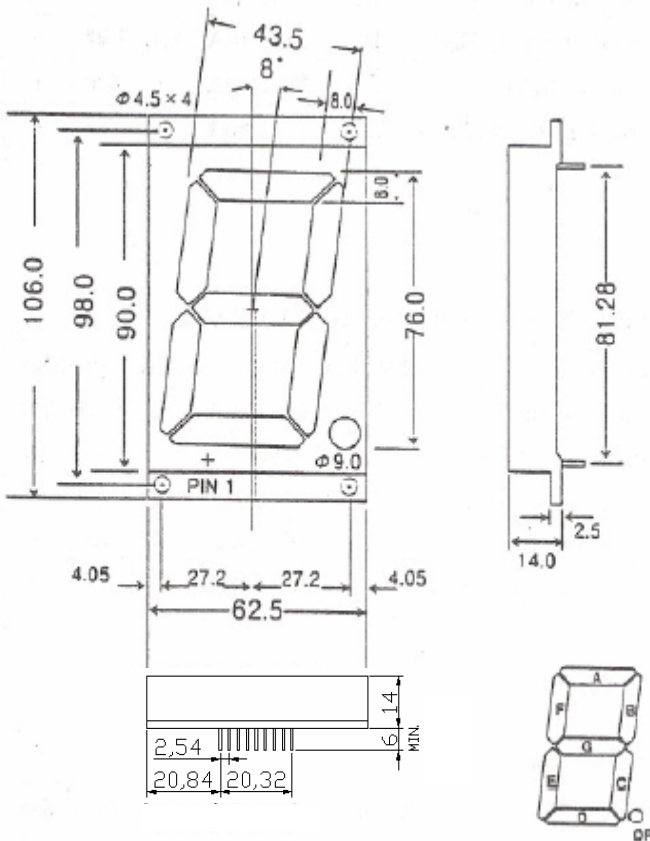
URL : WWW.LED.CO.KR / E-MAIL : mkled7700@hanmail.net

MI KWANG ELECTRONICS

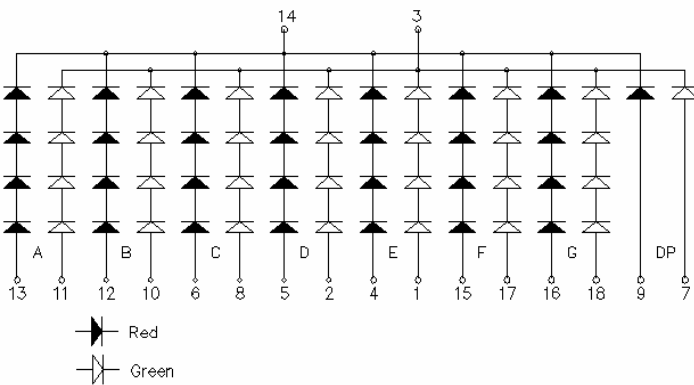
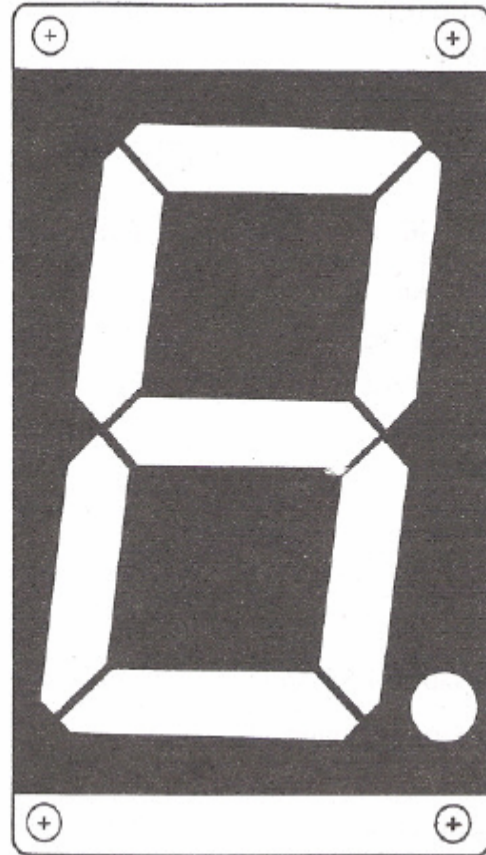
MD-3012/3019

3.0 Inch Single-Digit 7-Segment Numeric Display (Dual Color)

PACKAGE DIMENSIONS



ACTUAL SIZE



Cathode Common(MD-3012)
 * Anode Common(MD-3019)

MIKWANG ELECTRONICS CO., LTD.

Rm1401, World Meridian Venture Center, #60-24, Gasan-dong, Geumcheon-gu, Seoul, Korea
 TEL +82-2-2113-7700/ FAX +82-2-2113-7707 www.LED.co.kr

◆ MD-URUG3012/URUG301 (GaAlAs/GaP)

Absolute Maximum Ratings(Ta=25℃)

Power dissipation/total	2320	mW
Power dissipation/seg	320	mW
Forward current	40	mA
Peak forward current	120	mA
Reverse voltage	20	V
Operating temperature	-25~+85	℃
Storage temperature	-55~+100	℃

Electrical/Optical Characteristics(Ta=25℃)

Parameter	Symbol	Chip	Condition	Min	Typ	Max	Unit
Forward voltage/seg	Vf	UR	If=15mA	-	7.2	8	V
		UG		-	8.4	9.2	
Reverse current/seg	Ir	All	Vr=20V	-	-	20	μA
Luminous intensity/digit	Iv	UR	If=15mA	400	-	-	μcd
		UG		300	-	-	
Peak wave length	λp	UR	If=15mA	-	660	-	nm
		UG		-	570	-	
Spectral line half width	Δλ	UR	If=15mA	-	20	-	nm
		UG		-	30	-	

◆ MD-SRUG3012/SRUG3019 (GaAsP/GaP-GaP)

Absolute Maximum Ratings(Ta=25℃)

Power dissipation/total	2320	mW
Power dissipation/seg	320	mW
Forward current	40	mA
Peak forward current	120	mA
Reverse voltage	20	V
Operating temperature	-25~+85	℃
Storage temperature	-55~+100	℃

Electrical/Optical Characteristics(Ta=25℃)

Parameter	Symbol	Chip	Condition	Min	Typ	Max	Unit
Forward voltage/seg	Vf	SR	If=15mA	-	7.2	8	V
		UG		-	8.4	9.2	
Reverse current/seg	Ir	All	Vr=20V	-	-	20	μA
Luminous intensity/digit	Iv	SR	If=15mA	200	-	-	μcd
		UG		300	-	-	
Peak wave length	λp	SR	If=15mA	-	660	-	nm
		UG		-	570	-	
Spectral line half width	Δλ	SR	If=15mA	-	35	-	nm
		UG		-	30	-	

- ◆ Pulse Width - 1ms
- Duty Cycle - 1/5