

CUSTOMER : _____

NO. : MKM-

EDIT :

DATE :

SPECIFICATION FOR APPROVAL

PRODUCT : 0.56" Dual-Digit 7-Segment Numeric Display

MODEL NO. MD-620DA/627DA

| APPROVAL | | | REVISION |
|----------|-----|-------|----------|
| CHK | CHK | APPD. | |
| | | | |
| REMARKS | | | |
| | | | |



MIKWANG ELECTRONICS CO., LTD.

RM1401, 60-24, GASAN-DONG, GEUMCHEON-GU, SEOUL, KOREA

TEL : 82-2-2113-7700(Rep.) FAX : 82-2-2113-7707

URL : WWW.LED.CO.KR / E-MAIL : mkled7700@hanmail.net

MI KWANG ELECTRONICS MD-620DA/627DA

0.56 Inch Dual-Digit 7-Segment Numeric Display

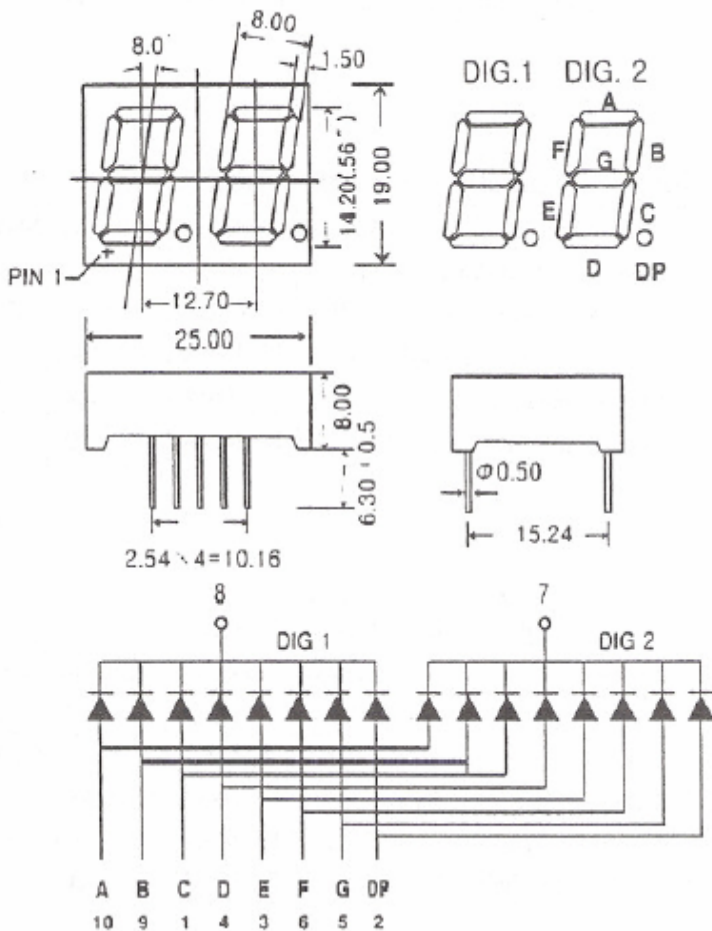
GENERAL DESCRIPTION

The MD-620DA and MD-627DA series are high performance epoxy resin molded 2-digit 7-segment LED displays for an application which space is at a premium.

The character height is approximately 0.56-inch(14.1mm) and available in red, green, orange and yellow-green emitting colors. The standard unit is constructed with black face and milky white segment color.

PACKAGE DIMENSIONS

ACTUAL SIZE



Cathode Common(MD-620DA)
 *Anode Common(MD-627DA)
 All diodes are reversed polarity

MIKWANG ELECTRONICS CO., LTD.

Rm1401, World Meridian Venture Center, #60-24, Gasan-dong, Geumcheon-gu, Seoul, Korea
 TEL +82-2-2113-7700/ FAX +82-2-2113-7707 www.LED.co.kr

MI KWANG ELECTRONICS MD-620DA/627DA

◆ Super Red MD-SR620DA/SR627DA (AlGaAs/GaAs)

Absolute Maximum Ratings (Ta=25°C)

| | | |
|-------------------------|----------|----|
| Power dissipation/total | 640 | mW |
| Power dissipation/seg | 40 | mW |
| Forward current | 20 | mA |
| Peak forward current | 60 | mA |
| Reverse voltage | 5 | V |
| Operating temperature | -25~+85 | °C |
| Storage temperature | -55~+100 | °C |

Electrical/Optical Characteristics (Ta=25°C)

| Parameter | Symbol | Condition | Min | Typ | Max | Unit |
|--------------------------|----------------|----------------------|-----|------|-----|------|
| Forward voltage/seg | V _f | I _f =10mA | - | 1.8 | 2.0 | V |
| Reverse current/seg | I _r | V _r =5V | - | - | 10 | μA |
| Luminous intensity/digit | I _v | I _f =10mA | 600 | 1300 | - | μcd |
| Peak wave length | λ _p | I _f =10mA | - | 660 | - | nm |
| Spectral line half width | Δλ | I _f =10mA | - | 20 | - | nm |

◆ Green MD-UG620DA/UG627DA (GaP)

Absolute Maximum Ratings (Ta=25°C)

| | | |
|-------------------------|----------|----|
| Power dissipation/total | 768 | mW |
| Power dissipation/seg | 48 | mW |
| Forward current | 20 | mA |
| Peak forward current | 60 | mA |
| Reverse voltage | 5 | V |
| Operating temperature | -25~+85 | °C |
| Storage temperature | -55~+100 | °C |

Electrical/Optical Characteristics (Ta=25°C)

| Parameter | Symbol | Condition | Min | Typ | Max | Unit |
|--------------------------|----------------|----------------------|-----|------|-----|------|
| Forward voltage/seg | V _f | I _f =10mA | - | 2.2 | 2.4 | V |
| Reverse current/seg | I _r | V _r =5V | - | - | 10 | μA |
| Luminous intensity/digit | I _v | I _f =10mA | 600 | 1300 | - | μcd |
| Peak wave length | λ _p | I _f =10mA | - | 570 | - | nm |
| Spectral line half width | Δλ | I _f =10mA | - | 30 | - | nm |

- ◆ Pulse Width - 1ms
- Duty Cycle - 1/5